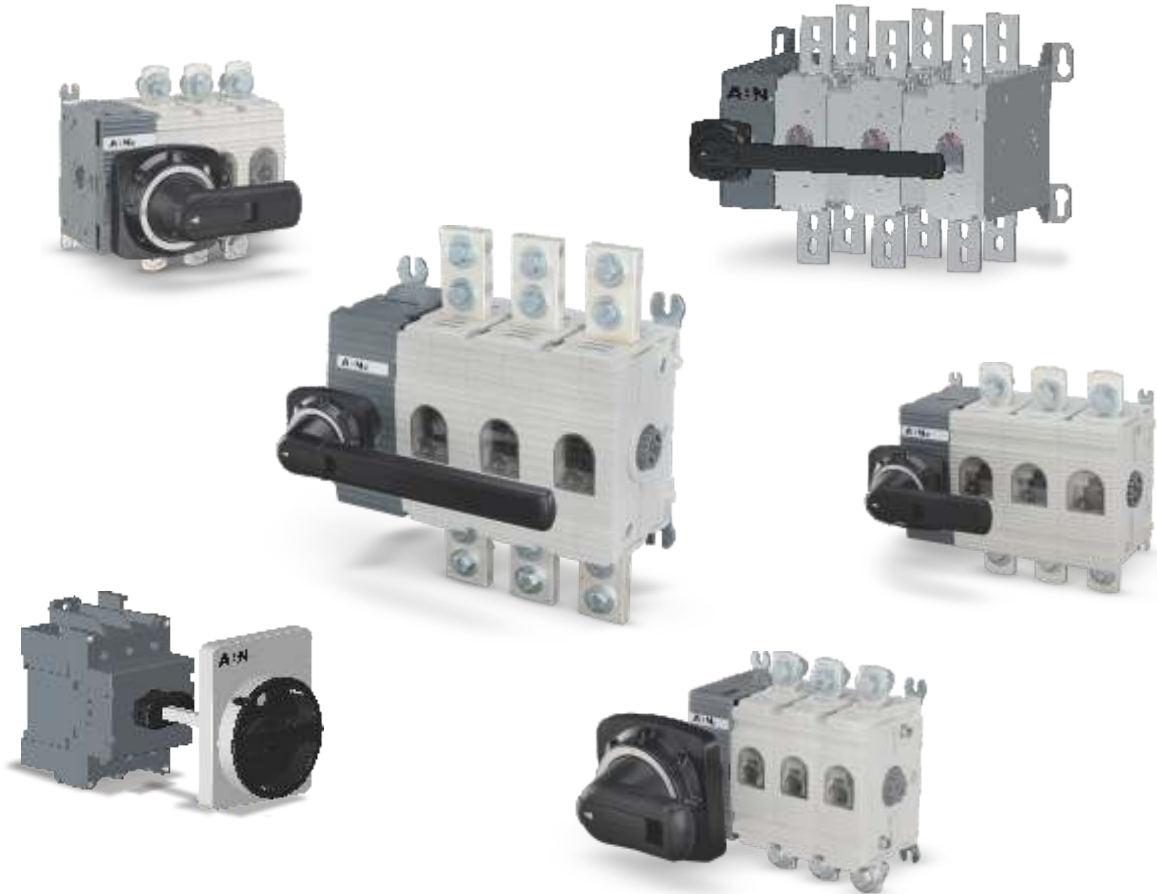


Switch - disconnectors



ABN offers wide range of switch disconnectors for manual operation. The range of switch disconnectors conforms to latest IEC 60947-3 standards. The products are in line with best design and quality standards.





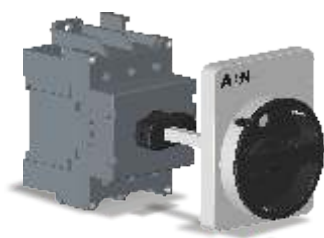
Features and benefits

- CB certifications for IEC 60947-3 from UL lab to conform IEC 60947-3 / EN 60947-3 / UL 60947-3 / IS: 13947-3
- Compact and modular construction
- AC-23A rating for voltage level up to 690/1000V
- Double quick make / break operation feature that enhance performance
- Clear on / off indication in front of the switch by providing a lense
- Provision for add on auxiliary contact for identification of switch position
- Front operated mechanism
- Suitable for vertical, horizontal, upwards, downwards orientation
- Modular switch, can be configured from single pole to 8 pole

ABN switch disconnectors were developed according to IEC 60947-3 and enable the manual drive of motors , machines and other equipment. Besides carrying and interrupting electric currents under normal or over load conditions, the design of the switches provides complete physical insulation between the circuit on the power supply when in the Off position. In this position, it is possible to use 3 pad locks in order to prevent inadvertent actuations, increasing the safety of operators and maintenance personnel

ABN switch disconnectors provide reliable production for personnel and ensure high system availability- in buildings, infrastructure and industrial plans. With these switches you can implement your protects more efficiently and thus safe guard your competitiveness

Products are conforms to  



20...125A



125...250A



315...500A

IEC

I_{th} in A	20, 25, 32, 40, 50, 63, 80, 100, 125	125, 160, 200, 250	315, 400, 500
le AC 22A / AC23A in A	20, 25, 32, 40, 50, 63, 80, 100, 125	125, 160, 200, 250	315, 400, 500



500...800A



1000...1600A



2000...3200A

IEC

I_{th} in A	500, 630, 800	1000, 1250, 1600	2000, 2500, 3200
le AC 22A / AC23A in A	500, 630, 800	1000, 1250, 1600	1600, 2000, 2200

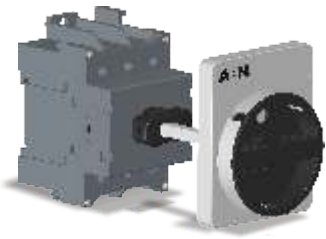
		Rating	A
Technical data according to IEC 60947-3		Switch type	
Rated insulation Voltage and rated Operational Voltage AC20/DC20			V
Dielectric Strength	Pollution degree 3	50 Hz 1min.	KV
Rated impulse Withstand Voltage			KV
Rated thermal current and rated operational current AC20/DC20	Ambient 40°C Ambient 40°C Ambient 60°C	In open air In enclosure In enclosure Cu	A A A A
With minimum conductor cross section			mm ²
Rated operational current, AC-21A		Up to 415 V 440...690 V	A A
Rated operational current, AC-22A		Up to 415 V 440...500 V 690 V	A A A
Rated operational current, AC-23A		Up to 415 V 440 V 500 V 690 V	A A A A
Rated operational current / poles in series,DC-21A		24...48 V 110 V 220 V 440 V 500 V	A A A A A
Rated operational current / poles in series,DC-22A		24...48 V 110 V 220 V 440 V	A A A A
Rated operational current / poles in series,DC-23A		24...48 V 110 V 220 V 440 V	A A A A
Rated operational power, AC-23A (These values are given for guidance and may vary acc. to the motor manufacturer)		220...240 V 400...415 V 440 V 500 V 690V	kw kw kw kw kw
Rated breaking capacity, AC-23A		Up to 415 V 440 V 500 V 690 V	A A A A
Rated breaking capacity / poles in series, DC-23A		24...48 V 220 V 110 V 440 V	A A A A
Rated conditional short-circuit current I_p (r.m.s.) and corresponding max. allowed cut-off current \hat{I}_c .	I_p (r.m.s.) max. fuse size gG/aM	50 kA ≤ 415 V	kA A
The cut-off current \hat{I}_c refers to values listed by fuse manufacturers (single phase test acc. to IEC60269)	I_p (r.m.s.) max. fuse size gG/aM	100 kA ≤ 500 V	kA A
	I_p (r.m.s.) max. fuse size gG/aM	10 kA ≤ 690 V	kA A
	I_p (r.m.s.) max. fuse size gG/aM	50 kA ≤ 690 V	kA A
	Rated short -time withstand current	r.m.s. -value I_{cw} r.m.s. -value I_{cw}	690 V, 0.25 s 690 V, 1 s
Rated short circuit making capacity	Peak value I_{cm}	690 V/500 V	kA
Rated capacity power (the capacitor rating are limited by the fuse link.)		400...415 V	kVAr
Power loss / pole	At rated operational current		W
Mechanical endurance	Divide by two operation cycles		oper.
Weight without accessories	3-pole 4-pole		Kg Kg
Cable size	Cu-wire size suitable for terminal clamps		mm2 AWG
Terminal tightening torque	Counter torque required		Nm
Operating torque	3-pole switch-disconnector		Nm

20	25	32	40	50	63	80	100	125
RVSD20	RVSD25	RVSD32	RVSD40	RVSD50	RVSD63	RVSD80	RVSD100	RVSD125
750 6 8	750 6 8	750 6 8	750 6 8	750 6 8	750 6 8	750 6 8	750 6 8	750 6 8
32 32 20 4	32 32 25 6	40 40 32 10	40 40 32 10	50 50 40 10	63 63 50 16	80 80 80 80	115 115 80 35	125 125 100 50
20 20	25 25	32 32	40 40	50 50	63 63	80 80	100 100	125 125
20 20 20	25 25 25	32 32 32	40 40 40	50 50 50	63 63 63	80 80 80	100 100 100	125 125 125
20 20 20 12	25 25 25 13	32 32 32 16	40 40 40 20	50 50 50 25	63 63 63 32	80 80 80 40	100 100 100 50	125 125 125 50
20/1 20/2 20/3 16/4 16/4	25/1 25/2 25/3 16/4 16/4	32/1 32/2 32/3 16/4 16/4	40/1 40/2 40/3 16/4 16/4	50/1 50/2 50/3 16/4 16/4	63/1 63/2 63/4 16/4 16/4	80/1 80/2 80/4 16/4 16/4	100/1 100/2 100/4 16/4 16/4	125/1 125/2 125/4 16/4 16/4
20/1 20/2 20/3 20/4	25/1 25/2 25/3 25/4	32/1 32/2 32/4 32/4	40/1 40/2 40/4 40/4	50/1 50/2 50/4 50/4	63/1 63/2 63/4 63/4	80/1 80/2 80/4 80/4	100/1 100/2 100/4 100/4	125/1 125/2 125/4 125/4
20/1 20/2 20/4 10/4	25/1 25/2 25/4 10/4	32/1 32/2 32/4 10/4	40/1 40/2 40/4 10/4	50/1 50/2 50/4 10/4	63/1 63/2 50/4 10/4	80/1 80/2 63/4 10/4	100/1 100/2 80/4 10/4	125/1 125/2 80/4 10/4
4 9 9 9 9	4 9 9 9 9	5 10 10 10 10	5.5 11 11 11 11	7.5 15 15 15 15	11 22 22 22 22	22 37 37 37 37	22 37 37 37 37	22 45 45 45 45
160 160 160 140	200 200 200 175	256 256 256 224	320 320 320 280	400 400 400 350	504 504 504 441	640 640 640 560	800 800 800 700	1000 1000 1000 875
80/1 80/2 80/4 32/4	100/1 100/2 100/4 40/4	110/1 110/2 110/4 40/4	128/1 128/2 128/4 40/4	128/1 128/2 128/4 50/4	180/1 180/2 180/4 40/4	252/1 252/2 180/4 40/4	400/1 400/2 252/4 60/4	500/1 500/2 252/4 60/4
6.5 40/32	6.5 40/32	6.5 40/32	6.5 40/32	6.5 100/80	13 100/80	13 100/80	16.5 125/125	16.5 125/125
					17 100/80	17 100/80		
							8.2 125/100	8.2 125/100
7 25/16	7 25/16	7 25/16	7 25/16	12 100/80	12 80/63	15 80/63	15 80/63	18 80/63
0.5	0.5	0.5	0.5	0.5	1	1.5	2.5	2.5
0.705	0.705	0.705	0.705	0.705	1.4	2.1	3.6	3.6
10	10	15	15	15	25	30	40	50
0.6 20 000	0.6 20 000	1.6 20 000	1.6 20 000	1.6 20 000	2.8 20 000	4.5 20 000	4.0 20 000	6.3 20 000
0.4 0.54	0.4 0.54	0.4 0.54	0.4 0.54	0.4 0.54	0.4 0.54	0.4 0.54	0.4 0.54	0.4 0.54
0.75...10 18-8	0.75...10 18-8	0.75...10 18-8	0.75...10 18-8	0.75...10 18-8	1.5...35 14-4	1.5...35 14-4	10...70 8-00	10...70 8-00
1.2 2	1.2 2	2.2 2	2.2 2	4 2	4 2	4 2	4 2	4 2

Switch-disconnectors, base and DIN-rail mounting, IEC

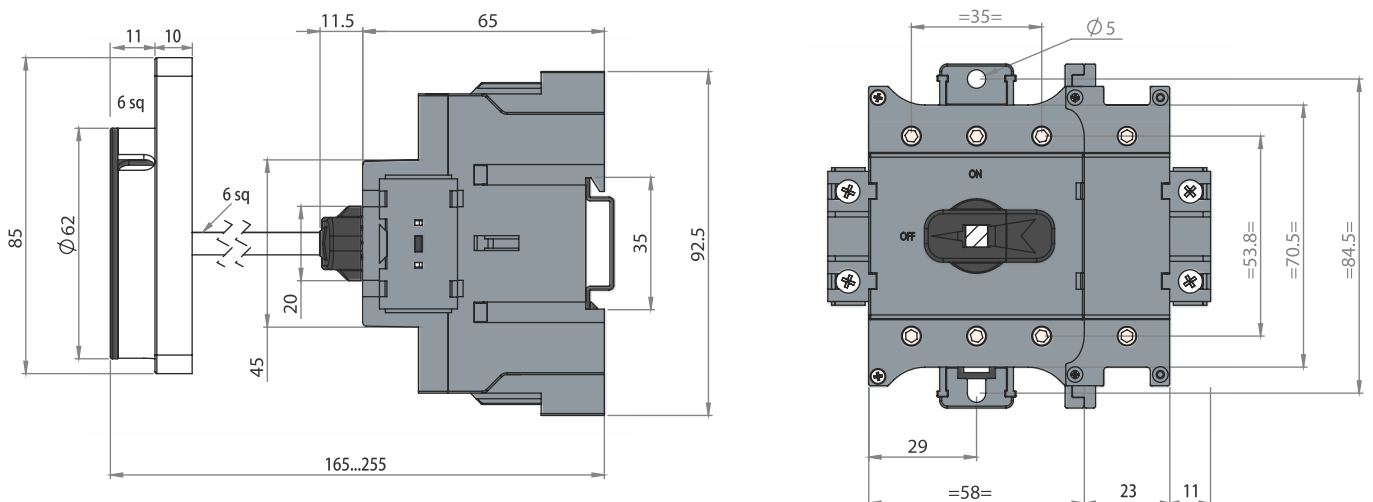
including protected terminal clamps IP20

The type and the ordering numbers are for one piece.

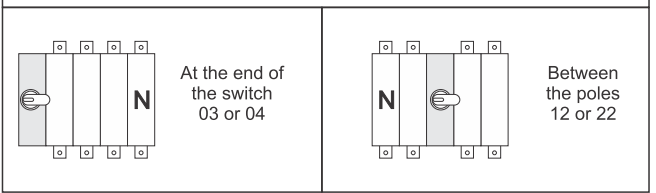


No. of poles	I_m (open) [A]	Cable cross section [mm ²]	Rated operat. currents AC22A/AC23A 400 v [A/A]	Type	Order No	Delivery batch [pcs]	Weight/unit [Kg]
3	20	0.75...10	20/20	RVSD2003	RVESD0020M03H3	10	0.5
4	20	0.75...10	20/20	RVSD2004	RVESD0020M04H3	10	0.64
3	25	0.75...10	25/25	RVSD2503	RVESD0025M03H3	10	0.5
4	25	0.75...10	25/25	RVSD2504	RVESD0025M04H3	10	0.64
3	32	0.75...10	32/32	RVSD3203	RVESD0032M03H3	10	0.5
4	32	0.75...10	32/32	RVSD3204	RVESD0032M04H3	10	0.64
3	40	0.75...10	40/40	RVSD4003	RVESD0040M03H3	10	0.5
4	40	0.75...10	40/40	RVSD4004	RVESD0040M04H3	10	0.64
3	50	1.5...35	50/50	RVSD5003	RVESD0050M03H3	10	0.5
4	50	1.5...35	50/50	RVSD5004	RVESD0050M04H3	10	0.64
3	63	1.5...35	63/63	RVSD6303	RVESD0063M03H3	10	0.5
4	63	1.5...35	63/63	RVSD6304	RVESD0063M04H3	10	0.64
3	80	1.5...35	80/80	RVSD8003	RVESD0080M03H3	10	0.5
4	80	10...70	80/80	RVSD8004	RVESD0080M04H3	10	0.64
3	100	10...70	100/100	RVSD12503	RVESD0100M03H3	10	0.5
4	100	10...70	100/100	RVSD12504	RVESD0100M04H3	10	0.64
3	125	10...70	125/125	RVSD12503	RVESD0125M03H3	10	0.5
4	125	10...70	125/125	RVSD12504	RVESD0125M04H3	10	0.64

Shafts and handles included as standard



Placing options of the operating mechanism for RVSD125...250



		RATING		A	125	160	200	250
Technical data according to IEC 60947-3		Switch type			RVSD125	RVSD160	RVSD200	RVSD250
Rated insulation voltage and rated operational voltage AC-20, DC-20	Pollution degree 3	50 Hz	1min.	V	1000	1000	1000	1000
Dielectric strength				kv	10	10	10	10
Rated impulse voltage				kv	12	12	12	12
Rated thermal current and rated operational current AC-20, DC-20 in ambient 40°C ⁴⁾	Ambient 40°C	In open air		A	200	200	200	250
	Ambient 40°C	In enclosure		A	125	160	200	250
	Ambient 60°C	In enclosure		A	125	160	200	250
with minimum cable cross section		Cu		mm ²	50	70	95	120
Rated operational current AC-21A								
		≤ 500V		A	125	200	200	250
		690V		A	125	160	200	250
		1000V		A	125	160	200	250
Rated operational current AC-22A								
		≤ 500V		A	125	200	200	250
		690V		A	125	160	200	250
		1000V		A	125	160	200	250
Rated operational current AC-23A								
		≤ 500V		A	125	160	200	250
		690V		A	125	160	200	250
		1000V		A	125	135	135	135
Rated operational current/ poles in series, DC-21A ¹⁾								
		24...110 V		A	125/2	160/2	200/2	250/2
		220 V		A	125/2	160/2	200/2	250/2
		440 V		A	125/3	160/3	200/3	250/3
		660 V		A	125/4	160/4	200/4	230/4 ²⁾
Rated operational current/ poles in series, DC-21B								
		800 V		A	125/5	160/5	200/5	250/5
		1000 V		A	125/6	160/6	200/6	250/6
Rated operational power, AC-23 ³⁾								
		230 V	KW		37	48	60	75
		400 V	KW		64	80	110	140
		415 V	KW		68	88	110	145
		500 V	KW		87	112	132	170
		690 V	KW		112	144	200	250
Rated breaking capacity in category AC-23								
		≤ 500 V		A	1000	1280	1600	2000
		690 V		A	1000	1280	1600	2000
Rated conditional short-circuit I _p (r.m.s.) and corresponding max. allowed cut-off current I _c .	I _p (r.m.s.)	100 KA, 500 V		KA	40.5	40.5	40.5	40.5
	Max. fuse size	gG/aM		A	315/315	315/315	315/315	315/315
The cut-off current I _c refers to values listed by fuse manufacturers (Single phase test acc.to IEC60269).	I _p (r.m.s.)	80 KA, 690 V		KA	40.5	40.5	40.5	40.5
	Max. fuse size	gG/aM		A	355/315	355/315	355/315	355/315
Rated short-time making withstand current	r.m.s I _{cw}	≤1000 V 0.15s		KA	15	15	15	15
		≤1000 V 0.25s		KA	15	15	15	15
		≤1000 V 1s		KA	8	8	8	8
Rated short-time making capacity	Peak Value I _{cm}	≤1000 V 1s		KA	30	30	30	30
Rated capacitor power when no initial charge on the capacitor	The capacitor rating are limited by the fuse link	415 V	KVAr		62	80	100	115
		500 V	KVAr		75	96	120	135
		690 V	KVAr		100	128	160	190
Power loss / pole	With rated current			W	3.2	3.2	4	6.5
Mechanical endurance	Divide by two oper. cycles			Oper.	20 000	20 000	20 000	20 000
Weight without accessories	3-pole switch			Kg	1.95	1.34	1.34	1.34
Terminal bolt size	Metric thread diameter x length			mm	M8x25	M8x25	M8x25	M8x25
Terminal tightening torque	Counter torque required			Nm	15-22	15-22	15-22	15-22
Operating torque	3-pole switch disconnector			Nm	7	7	7	7

1) Further rating on request

2) Category B

3) These values are given for guidance and may vary acc, to the motor manufacturer

4) Acc. to IEC 60947-1, § 6.1.1

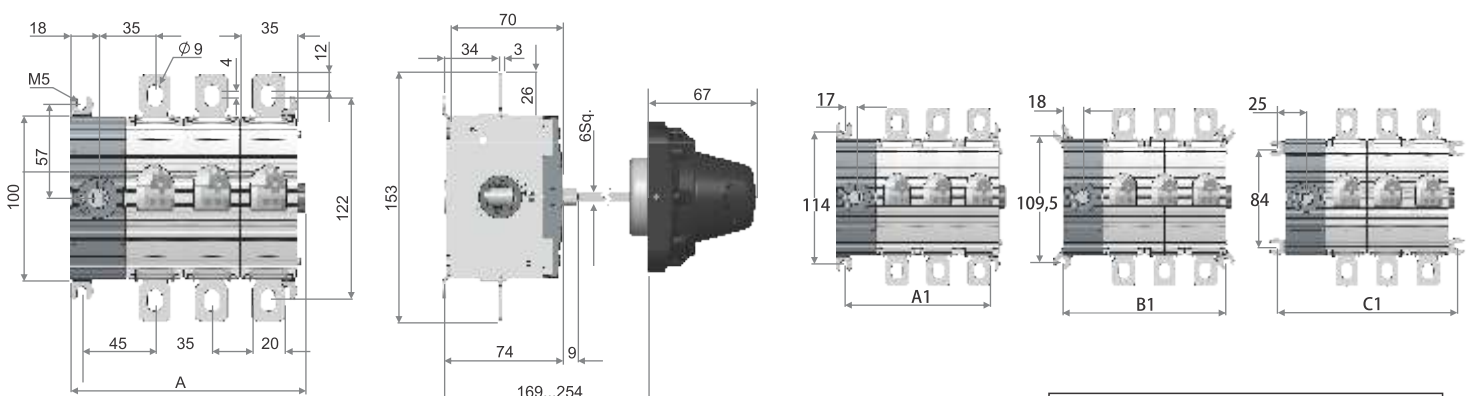
Switch-disconnectors, with pistol handle, base mounting, IEC

including a black ON-OFF plastic handle and shaft as standard, The handle is IP65 protected, padlockable in the OFF- position and with door interlock in the ON-position. The shaft can be adjusted to different installation depths.



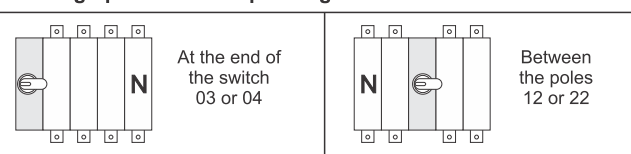
No. of poles	I _{th} (open) [A]	Rated operat. currents AC22A/ AC23A 400 V [A/A]	Type	Order number	Units/ type [pcs]	Weight/ unit [Kg]
3	200	200/125	RVSD12503	RVESD0125M03H3	1	1.82
4	200	200/125	RVSD12504	RVESD0125M04H3	1	2.1
3	200	200/125	RVSD12512	RVESD0125M12H3	1	1.82
4	200	200/125	RVSD12522	RVESD0125M22H3	1	2.1
3	200	200/160	RVSD16003	RVESD0160M03H3	1	1.82
4	200	200/160	RVSD16004	RVESD0160M04H3	1	2.1
3	200	200/160	RVSD16012	RVESD0160M12H3	1	1.82
4	200	200/160	RVSD16022	RVESD0160M22H3	1	2.1
3	200	200/200	RVSD20003	RVESD0200M03H3	1	1.82
4	200	200/200	RVSD20004	RVESD0200M04H3	1	2.1
3	200	200/200	RVSD20012	RVESD0200M12H3	1	1.82
4	200	200/200	RVSD20022	RVESD0200M22H3	1	2.1
3	250	250/250	RVSD25003	RVESD0250M03H3	1	1.82
4	250	250/250	RVSD25004	RVESD0250M04H3	1	2.1
3	250	250/250	RVSD25012	RVESD0250M12H3	1	1.82
4	250	250/250	RVSD25022	RVESD0250M22H3	1	2.1

Shafts and handles included as standard



(mm)	P01	P02	P03	P04
A	77	110	145	180
A1	55	90	125	160
B1	71	106	141	176
C1	85	120	155	190

Placing options of the operating mechanism for RVSD315...500



Technical data according to IEC 60947-3	RATING		A	315	400	500
	Switch type			RVSD315	RVSD400	RVSD500
Rated insulation voltage and rated operational voltage AC-20, DC-20	Pollution degree 3	50 Hz 1min.	V	1000	1000	1000
Dielectric strength			kv	10	10	10
Rated impulse voltage			kv	12	12	12
Rated thermal current and rated operational current AC-20, DC-20 in ambient 40°C ³⁾ with minimum cable cross section	Ambient 40°C	In open air	A	315	400	500
	Ambient 40°C	In enclosure	A	315	400	500
	Ambient 60°C	In enclosure	A	315	400	500
		Cu	mm ²	185	240	2x150
Rated operational current AC-21A		≤ 500V	A	315	400	500
		690V	A	315	400	500
		1000V	A	315	400	500
Rated operational current AC-22A		≤ 500V	A	315	400	500
		690V	A	315	400	500
		1000V	A	315	400	500
Rated operational current AC-23A		≤ 500V	A	315	400	500
		690V	A	315	400	500
		1000V	A	200	200	200
Rated operational current / poles in series, DC-21A ¹⁾		24...110 V	A	315/1 ²⁾	400/1 ²⁾	500/1 ²⁾
		220 V	A	315/2 ²⁾	400/2 ²⁾	500/2 ²⁾
		440 V	A	315/3	360/3	360/3
		660 V	A	315/4	360/4	360/4
Rated operational current / poles in series, DC-21B		800 V	A	315/5	400/5	500/5
		1000 V	A	315/6	400/6	500/6
Rated operational power, AC-23 ³⁾		230 V	KW	100	132	165
		400 V	KW	160	220	275
		415 V	KW	180	230	287
		500 V	KW	220	280	287
		690 V	KW	315	400	500
Rated breaking capacity in category AC-23		≤ 500 V	A	2520	3200	3200
		690 V	A	2520	3200	3200
Rated conditional short-circuit I _p (r.m.s.) and corresponding max. allowed cut-off current I _c .	I _p (r.m.s.)	100 KA, 500 V	KA	61.5	61.5	61.5
	Max. fuse size	gG/aM	A	500/450	500/450	500/450
The cut-off current I _c refers to values listed by fuse manufacturers (Single phase test acc.to IEC60269).	I _p (r.m.s.)	80 KA, 690 V	KA	59	59	59
	Max. fuse size	gG/aM	A	500/500	500/500	500/500
Rated short-time making withstand current	r.m.s I _{cw}	≤1000 V 0.15s	KA	31	31	31
		≤1000 V 0.25s	KA	24	24	24
		≤1000 V 1s	KA	15	15	15
Rated short-time making capacity	Peak Value I _{cm}	≤1000 V 1s	KA	65	65	65
Rated capacitor power when no initial charge on the capacitor	The capacitor rating are limited by the fuse link	415 V	KVAr	145	180	225
		500 V	KVAr	175	215	268
		690 V	KVAr	250	325	406
Power loss / pole	With rated current		W	6.5	10	15
Mechanical endurance	Divide by two oper. cycles		Oper.	16000	16000	16000
Weight without accessories	3-pole switch		Kg	2.64	2.64	2.64
Terminal bolt size	Metric thread diameter x length		mm	M10x30	M10x30	M10x30
Terminal tightening torque		Counter torque required	Nm	30-44	30-44	30-44
Operating torque		3-pole switch disconnector	Nm	16	16	16

1) Further rating on request

2) Category B

3) These values are given for guidance and may vary acc. to the motor manufacturer

4) Acc. to IEC 60947-1, § 6.1.1

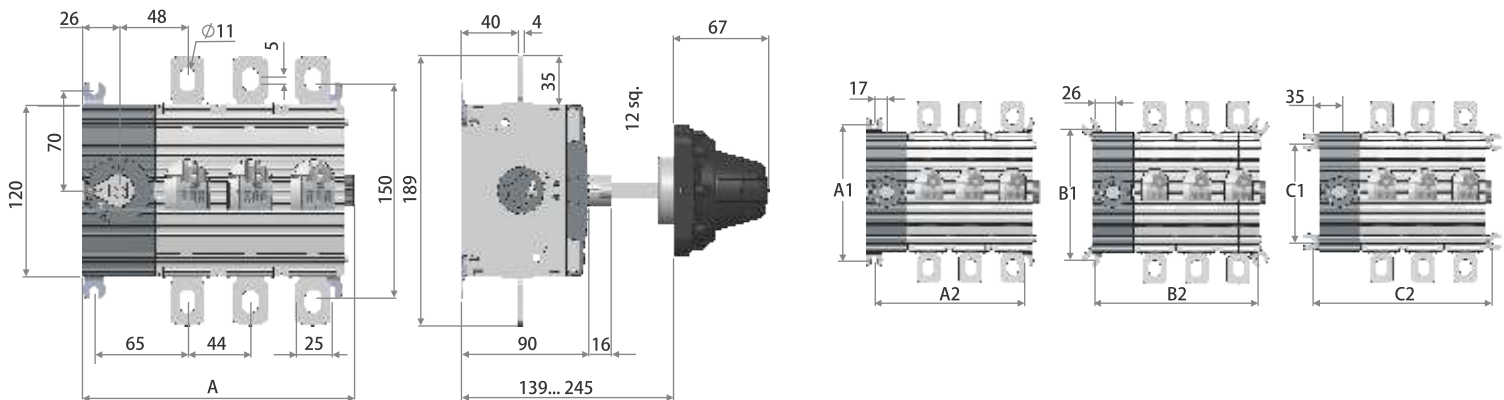
Switch-disconnectors, with pistol handle, base mounting, IEC

including a black ON-OFF plastic handle and shaft as standard, The handle is IP65 protected, padlockable in the OFF- position and with door interlock in the ON-position. The shaft can be adjusted to different installation depths.



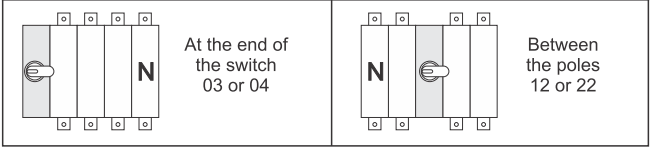
No. of poles	I_{th} (open) [A]	Rated operat. currents AC22A/ AC23A 400 V [A/A]	Type	Order number	Units/ type [pcs]	Weight/ unit [Kg]
3	315	315/315	RVSD31503	RVESD0315M03H3	1	3.34
4	315	315/315	RVSD31504	RVESD0315M04H3	1	4.1
3	315	315/315	RVSD31512	RVESD0315M12H3	1	3.34
4	315	315/315	RVSD31522	RVESD0315M22H3	1	4.1
3	400	400/400	RVSD40003	RVESD0400M03H3	1	3.34
4	400	400/400	RVSD40004	RVESD0400M04H3	1	4.1
3	400	400/400	RVSD40012	RVESD0400M12H3	1	3.34
4	400	400/400	RVSD40022	RVESD0400M22H3	1	4.1
3	500	500/500	RVSD50003	RVESD0500M03H3	1	3.34
4	500	500/500	RVSD50004	RVESD0500M04H3	1	4.1
3	500	500/500	RVSD50012	RVESD0500M12H3	1	3.34
4	500	500/500	RVSD50022	RVESD0500M22H3	1	4.1

Shafts and handles included as standard



(mm)	P01	P02	P03	P04
A	103	147	191	235
A1	140	140	140	140
A2	78	122	166	210
B1	135	135	135	135
B2	96	140	184	228
C1	104	104	104	104
C2	114	158	202	246

Placing options of the operating mechanism for RVSD500...800



Technical data according to IEC 60947-3	RATING	A			500	630	800
		Switch type		RVSD0500	RVSD0630	RVSD0800	
Rated insulation voltage and rated operational voltage AC-20, DC-20	Pollution degree 3	50 Hz	1min.	V	1000	1000	1000
Dielectric strength				kv	10	10	10
Rated impulse voltage				kv	12	12	12
Rated thermal current and rated operational current AC-20, DC-20 in ambient 40°C ⁴⁾ with minimum cable cross section	Ambient 40°C	In open air		A	500	630	800
	Ambient 40°C	In enclosure		A	500	630	800
	Ambient 60°C	In enclosure		A	500	630	800
		Cu		mm ²	2x150	2x185	2x240
Rated operational current AC-21A		≤ 500V		A	500	630	800
		690V		A	500	630	800
		1000V		A	500	630	800
Rated operational current AC-22A		≤ 500V		A	500	630	800
		690V		A	500	630	800
		1000V		A	500	630	800
Rated operational current AC-23A		≤ 500V		A	500	630	800
		690V		A	500	630	800
		1000V		A	200	400	400
Rated operational current / poles in series, DC-21A ¹⁾		24...110 V		A	500/1 ²⁾	630/1	800/1
		220 V		A	500/2 ²⁾	630/1	800/1
		440 V		A	360/3	360/2	800/2
		660 V		A	360/4	630/4 ²⁾	650/4 ²⁾
Rated operational current / poles in series, DC-21B		800 V		A	500/5	400/5	600/5
		1000 V		A	500/6	400/6	600/6
Rated operational power, AC-23 ³⁾		230 V		KW	165	200	250
		400 V		KW	275	355	450
		415 V		KW	287	355	450
		500 V		KW	287	400	560
		690 V		KW	500	630	800
Rated breaking capacity in category AC-23		≤ 500 V		A	3200	5040	6400
		690 V		A	3200	5040	6400
Rated conditional short-circuit I _p (r.m.s.) and corresponding max. allowed cut-off current I _c .	I _p (r.m.s.)	100 KA, 500 V		KA	61.5	90	90
	Max. fuse size	gG/aM		A	500/450	800/1000	800/1000
The cut-off current Î refers to values listed by fuse manufacturers (Single phase test acc.to IEC60269).	I _p (r.m.s.)	80 KA, 690 V		KA	59	83.5	83.5
	Max. fuse size	gG/aM		A	500/500	800/1000	800/1000
Rated short-time making withstand current	r.m.s I _{cw}	≤1000 V 0.15s		KA	38	38	38
		≤1000 V 0.25s		KA	36	36	36
		≤1000 V 1s		KA	20	20	20
Rated short-time making capacity	Peak Value I _{cm}	≤1000 V 1s		KA	65	80	80
Rated capacitor power when no initial charge on the capacitor	The capacitor rating are limited by the fuse link	415 V		KVAr	225	250	310
		500 V		KVAr	268	300	375
		690 V		KVAr	406	450	550
Power loss / pole	With rated current			W	15	25	40
Mechanical endurance	Divide by two oper. cycles			Oper.	10000	10000	10000
Weight without accessories	3-pole switch			Kg	6	6	6
Terminal bolt size	Metric thread diameter x length			mm	M12x40	M12x40	M12x40
Terminal tightening torque	Counter torque required			Nm	50-75	50-75	50-75
Operating torque	3-pole switch disconnecter			Nm	27	27	27

1) Further rating on request

2) Category B

3) These values are given for guidance and may vary acc, to the motor manufacturer

4) Acc. to IEC 60947-1, § 6.1.1

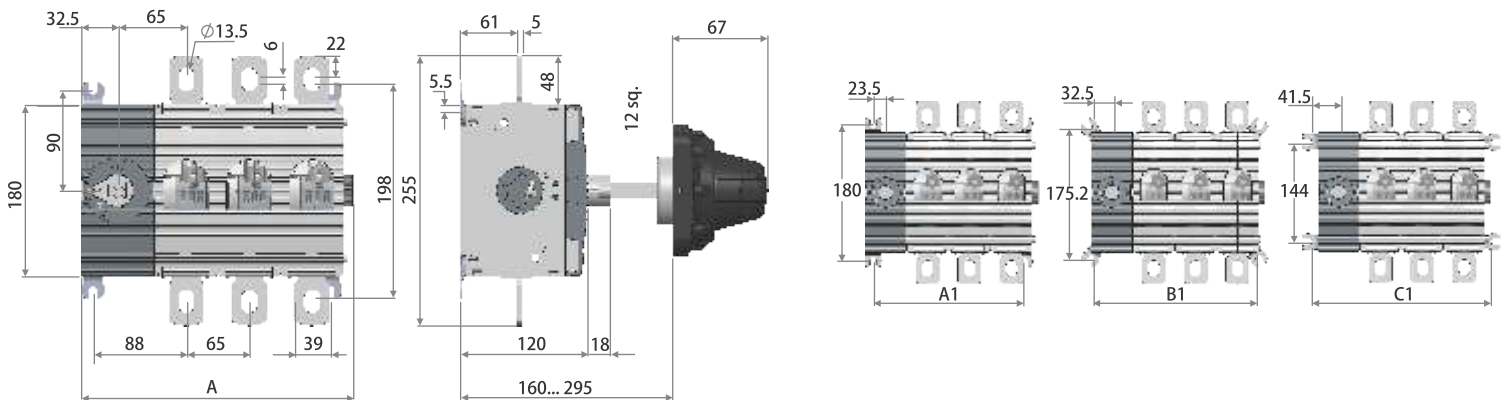
Switch-disconnectors, with pistol handle, base mounting, IEC

including a black ON-OFF plastic handle and shaft as standard, The handle is IP65 protected, padlockable in the OFF- position and with door interlock in the ON-position. The shaft can be adjusted to different installation depths.



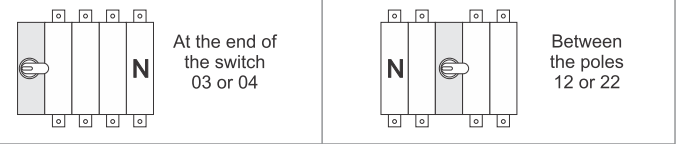
No. of poles	I_{th} (open) [A]	Rated operat. currents AC22A/ AC23A 400 v [A/A]	Type	Order number	Units/ type [pcs]	Weight/ unit [Kg]
3	500	500/500	RVSD50003	RVESD0500M03H3	1	7
4	500	500/500	RVSD50004	RVESD0500M04H3	1	8.5
3	500	500/500	RVSD50012	RVESD0500M12H3	1	7
4	500	500/500	RVSD50022	RVESD0500M22H3	1	8.5
3	630	630/630	RVSD63003	RVESD0630M03H3	1	7
4	630	630/630	RVSD63004	RVESD0630M04H3	1	8.5
3	630	630/630	RVSD63012	RVESD0630M12H3	1	7
4	630	630/630	RVSD63022	RVESD0630M22H3	1	8.5
3	800	800/800	RVSD80003	RVESD0800M03H3	1	7
4	800	800/800	RVSD80004	RVESD0800M04H3	1	8.5
3	800	800/800	RVSD80012	RVESD0800M12H3	1	7
4	800	800/800	RVSD80022	RVESD0800M22H3	1	8.5

Shafts and handles included as standard



(mm)	P01	P02	P03	P04
A	136	201	266	331
A1	112	177	242	307
B1	130	195	260	325
C1	148	213	278	343

Placing options of the operating mechanism for RVSD1000...1600



Technical data according to IEC 60947-3	RATING	A	1000			1250		1600	
			Switch type	RVSD1000	RVSD1250	RVSD1600			
Rated insulation voltage and rated operational voltage AC20, Dc20	Pollution degree 3	50 Hz 1min.	V	1000	1000	1000			
Dielectric strength			kv	10	10	10			
Rated impulse voltage			kv	12	12	12			
Rated thermal current and rated operational current AC20/DC20	Ambient 40°C	In open air	A	1000	1250	1600			
	Ambient 40°C	In enclosure	A	1000	1250	1600			
	Ambient 60°C	In enclosure	A	1000	1250	1600			
with minimum conductor cross section		Cu	mm ²	2x300	2x400	2x500			
Rated operational current AC-21A		Up to 690 V	A	1000	1250	1600			
		1000 V	A	1000	1250	1600			
Rated operational current AC-22A		Up to 415 V	A	1000	1250	1600			
		500 - 690 V	A	1000	1250	1600			
Rated operational current AC-23A		Up to 500 V	A	1000	1250	1250			
		690 V	A	1000	1250	1250			
Rated operational power, AC-23A (These values are given for guidance and may vary acc to the motor manufacturer)		400...415 V	KW	560	710	890			
		440 V	KW	630	800	1000			
		500 V	KW	710	900	1100			
		690 V	KW	1000	1200	1600			
Rated breaking capacity,AC-23A		Up to 500 V	A	8000	10000	12800			
		690 V	A	8000	10000	12800			
Rated conditional short-circuit current I _p (r.m.s.) and corresponding max. allowed cut-off current I _c	I _p (r.m.s.)	80 KA	KA	100	100	100			
	Max. fuse size	≤ 415 V	A	1250/1250	1250/1250	1250/1250			
The cut-off current I _c refers to values listed by fuse manufacturers (Single phase test acc.to IEC60269).	I _p (r.m.s.)	100 KA	KA	106	106	106			
	Max. fuse size	≤ 500 V	A	1250/1250	1250/1250	1250/1250			
Rated short-time withstand current	r.m.s I _{cw}	690 V,0.25s	KA	50	50	50			
		690 V, 1s	KA	50	50	50			
Rated short-time circuit making capacity	Peak Value I _{cm}	690 V	KA	110 ⁽¹⁾	110 ⁽¹⁾	110 ⁽¹⁾			
	Max. distance from switch frame to nearest busbar/cable support		mm	150	150	150			
Rated capacitor power when no initial charge on the capacitor	The capacitor rating are limited by the fuse links	415 V	KVAr	460	575	730			
		500 V	KVAr	550	690	880			
		690 V	KVAr	750	950	1200			
Power loss / pole	At rated operational current		W	19	29	48			
Mechanical endurance	Divide by two for operation cycles		Oper.	6000	6000	6000			
Weight without accessories	3-pole		Kg	14.5	14.5	16.5			
Terminal bolt size	Metric thread diameter x length		mm	M12x50	M12x50	M12x60			
Terminal tightening torque	Counter torque required		Nm	50...75	50...75	50...75			
Operating torque	3-pole switch disconnector		Nm	65	65	65			

1) Acc. to IEC60947-1, § 6.1.1

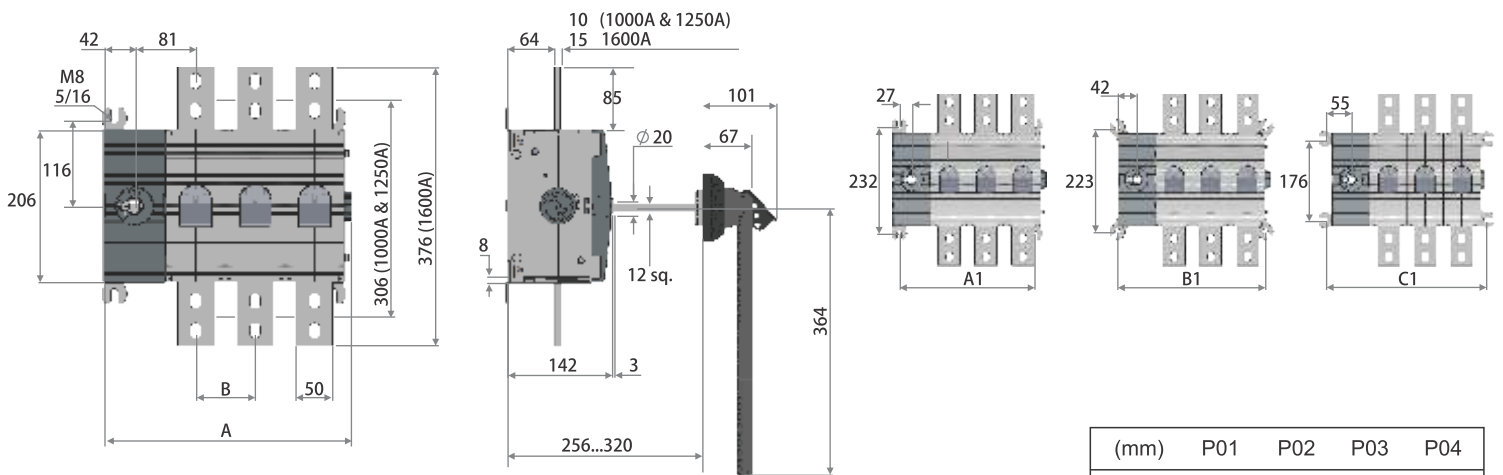
Switch-disconnectors, with pistol handle, base mounting, IEC

including a black ON-OFF plastic handle and shaft as standard, The handle and shaft as standard. The handle is IP65 protected, padlockable in the OFF- position and with door interlock in the ON-position. The shaft can be adjusted to different installation depths.

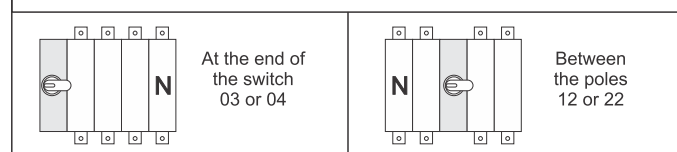


No. of poles	I _{th} (open) [A]	Rated operat. currents AC22A/ AC23A 400 v [A/A]	Type	Order number	Units/ type [pcs]	Weight/ unit [Kg]
3	1000	1000/1000	RVSD100003	RVESD1000M03H3	1	15.5
4	1000	1000/1000	RVSD100004	RVESD1000M04H3	1	19
3	1000	1000/1000	RVSD100012	RVESD1000M12H3	1	15.5
4	1000	1000/1000	RVSD100022	RVESD1000M22H3	1	19
3	1250	1250/1250	RVSD125003	RVESD1250M03H3	1	15.5
4	1250	1250/1250	RVSD125004	RVESD1250M04H3	1	19
3	1250	1250/1250	RVSD125012	RVESD1250M12H3	1	15.5
4	1250	1250/1250	RVSD125022	RVESD1250M22H3	1	19
3	1600	1600/1600	RVSD160003	RVESD1600M03H3	1	18.6
4	1600	1600/1600	RVSD160004	RVESD1600M04H3	1	23.6
3	1600	1600/1600	RVSD160012	RVESD1600M12H3	1	18.6
4	1600	1600/1600	RVSD160022	RVESD1600M22H3	1	23.6

Shafts and handles included as standard



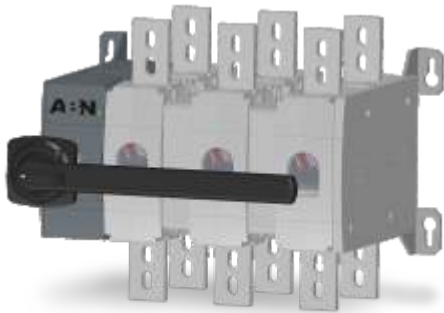
(mm)	P01	P02	P03	P04
A	175	255	335	415
B		80	80	80
A1	134	214	294	374
B1	164	244	324	404
C1	190	370	350	430

Placing options of the operating mechanism for RVSD2000...3200


		RATING		A	2000	2500	3200
Technical data according to IEC 60947-3		Switch type			RVSD2000	RVSD2500	RVSD3200
Rated insulation voltage and rated operational voltage AC20, Dc20	Pollution degree 3	50 Hz	1min.	V	1000	1000	1000
Dielectric strength				kv	10	10	10
Rated impulse voltage				kv	12	12	8
Rated thermal current and rated operational current AC20/DC20 with minimum conductor cross section	Ambient 40°C	In open air		A	2000	2500	3200
	Ambient 40°C	In enclosure		A	2000	2500	3200
	Ambient 60°C	In enclosure		A	2000	2500	3200
			Cu	mm ²	3x500	4x500	3x(100x10)
Rated operational current AC-21A		Up to 690 V		A	2000	2500	3200
		1000 V		A			
Rated operational current AC-22A		Up to 415 V		A	2000	2500	3200
		500 - 690 V		A	2000	2500	
Rated operational current AC-23A		Up to 500 V		A	1600	2000	2200
		690 V		A	1600	2000	2200
Rated operational power, AC-23A (These values are given for guidance and may vary acc to the motor manufacturer)		400...415 V		KW	887	1109	1420
		440 V		KW	1000	1250	1600
		500 V		KW	1125	1406	1800
		690 V		KW	1500	1875	2400
Rated breaking capacity, AC-23A		Up to 500 V		A	1600	2000	2200
		690 V		A			
Rated conditional short-circuit current I_p (r.m.s.) and corresponding max. allowed cut-off current I_c	I_p (r.m.s.)	80 KA		KA	140	140	140
The cut-off current \hat{I} refers to values listed by fuse manufacturers (Single phase test acc.to IEC60269).	I_p (r.m.s.)	100 KA		KA	105	105	105
Rated short-time withstand current	r.m.s- Value I_{cw}	690 V, 0.25s		KA	80	80	80
		690 V, 1s		KA	50	55	55
Rated short-time making capacity	Peak Value I_{cm}	690 V		KA	176	176	176
	Max. distance from switch frame to nearest busbar/cable support			mm	150	150	150
Rated capacitor power when no initial charge on the capacitor	The capacitor rating are limited by the fuse links	415 V		KVAr	718	898	1150
		500 V		KVAr	862	1078	1380
		690 V		KVAr	1187	1484	1900
Power loss / pole		At rated operational current		W	37	58	95
Mechanical endurance		Divide by two for operation cycles		Oper.	6000	6000	6000
Weight without accessories		3-pole		Kg	32	32	32
Terminal bolt size	Metric thread diameter x length			mm	M12x60	M12x60	M12x60
Terminal tightening torque		Counter torque required	Nm	50...75	50...75	50...75	
Operating torque		3-pole switch disconnector	Nm	65	65	65	

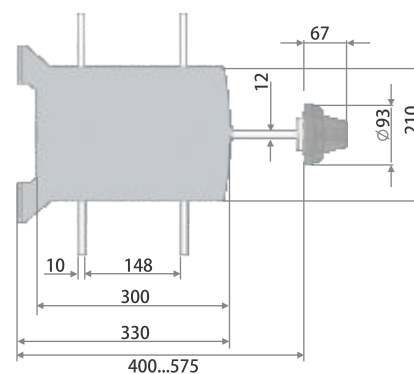
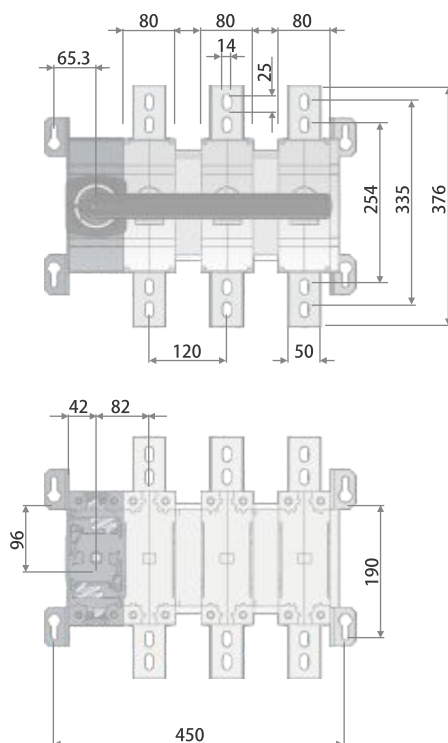
Switch-disconnectors, with pistol handle, base mounting, IEC

including a black ON-OFF plastic handle and shaft as standard, The handle is IP65 protected, padlockable in the OFF- position and with door interlock in the ON-position. The shaft can be adjusted to different installation depths.



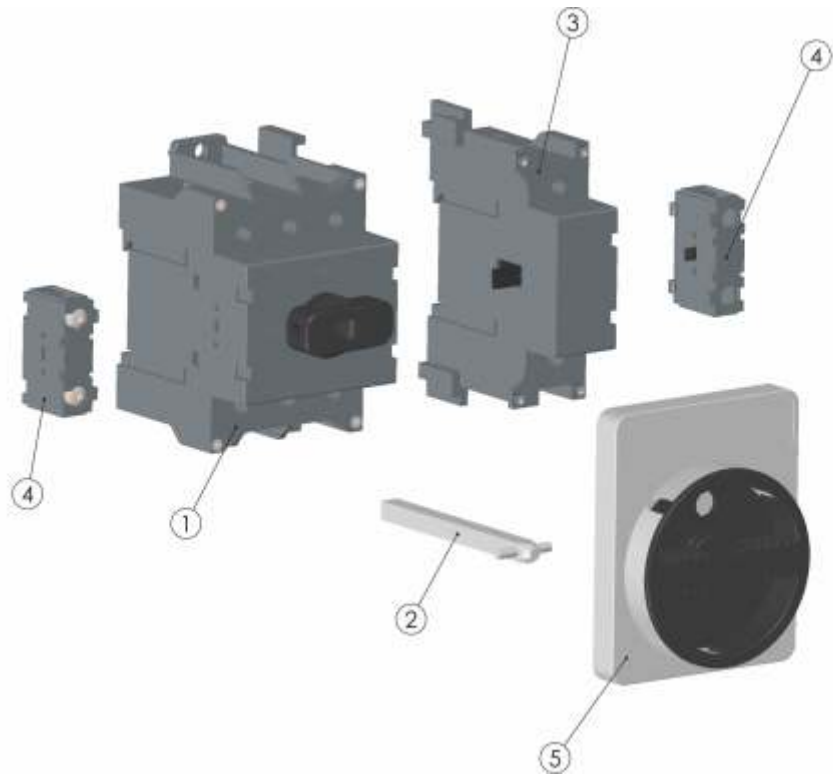
No. of poles	I_{th} (open) [A]	Rated operat. currents AC22A/ AC23A 400 v [A/A]	Type	Order number	Units/ type [pcs]	Weight/ unit [Kg]
3	2000	1600	RVSD200003	RVESD2000M03H3	1	37
4	2000	1600	RVSD200004	RVESD2000M04H3	1	45
3	2000	1600	RVSD200012	RVESD2000M12H3	1	37
4	2000	1600	RVSD200022	RVESD2000M22H3	1	45
3	2500	2000	RVSD250003	RVESD2500M03H3	1	37
4	2500	2000	RVSD250004	RVESD2500M04H3	1	45
3	2500	2000	RVSD250012	RVESD2500M12H3	1	37
4	2500	2000	RVSD250022	RVESD2500M22H3	1	45
3	3200	2200	RVSD320003	RVESD3200M03H3	1	37
4	3200	2200	RVSD320004	RVESD3200M04H3	1	45
3	3200	2200	RVSD320012	RVESD3200M12H3	1	37
4	3200	2200	RVSD320022	RVESD3200M22H3	1	45

Shafts and handles included as standard



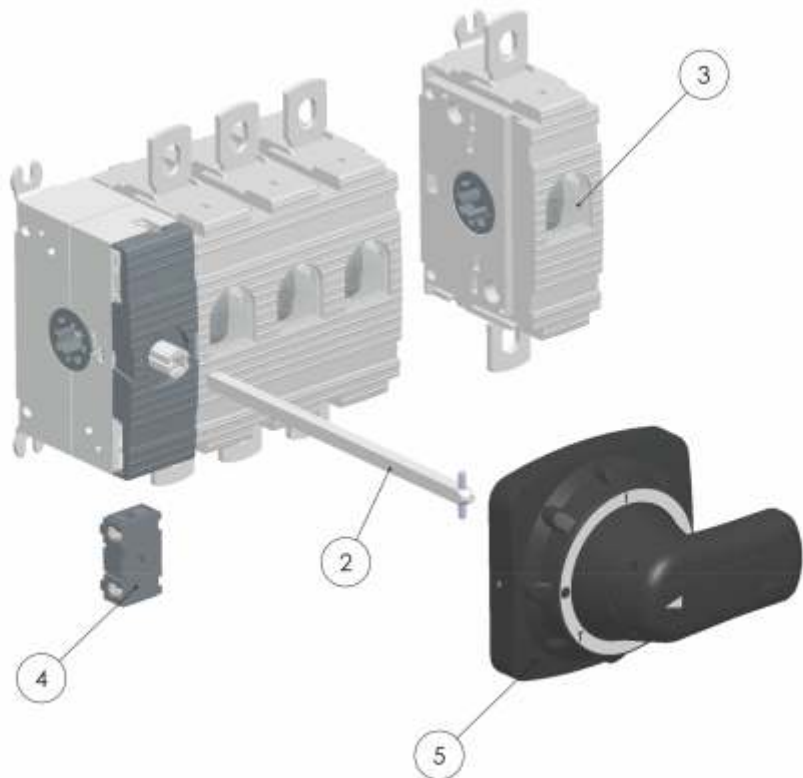
RVSD 20...RVSD125A






- 1. Switch-disconnector
- 2. external shaft
- 3. Fourth pole
- 4. Auxiliary contact
- 5. Selector type handle



RVSD 125...RVSD3200A

- 1. Switch-disconnector
- 2. Extended shaft
- 3. Fourth pole
- 4. Auxiliary contact
- 5. Pistol type handle



Handle with Soft	Length	Suitable for	Type	Order Number
	150mm*	RVSD20 .. RVSD125	RVSDH125	RVESD0125H03H3
	260mm*	RVSD125...RVSD250	RVSDH250	RVESD0250H03H3
	235mm*	RVSD315.. RVSD500	RVSDH400	RVESD0400H03H3
	325mm*	RVSD500.. RVSD800	RVSDH800	RVESD0800H03H3
	325mm*	RVSD1000.. RVSD3200	RVSDH1600	RVESD1600H03H3

Auxiliary Block



RVSA10 NO
RVSA01 NC

Type Function
Suitable for RVSD20...
RVSD3200A

RVESD0A10H03H3
RVESD0A01H03H3

* Different Shafts length are available

ABN



www.roveelectricindia.com

ROVE Electric Pvt Ltd.

SF No: 193/1B, Uzhaippalar Street,
Udayampalayam Road, Vellakinar Village,
Coimbatore - 641029. Tamil Nadu. INDIA.
Email: sales@roveelectric.co.in

Electricity is the most indispensable source of energy in this modern era. ABN Electric excel in the specialized manufacturing, servicing and exporting of low voltage Switchgear, controlgear, Power Busbars & Diesel Gensets. since its establishment, the company is a fully self contingent, where every component is formulated, developed, processed and manufactured to latest requirements.

"We Make Ideas Work"

ABN electric hold an excellent technical infrastructure and highly skilled team of professionals. The R&D wing constantly work on innovations and determine to transform conventional products to new generation products.

"Conviction"

Our products are accredited with Global Standards which stand as a testimony to our strict and vigilant quality control. We are committed to quality and innovation besides prompt after sales service.