

A=N

Enclosed Switches



Rove Electric Pvt Ltd have been designing, manufacturing and supplying low voltage electrical control and switchgear for the past 20 years. The range of switchgear are conforming to IEC-60947-4 standards, enclosures are conforming to IP 67/ IP 55 standard. The product are in line with best quality standards

Aluminium Die cast Enclosure



Sheet Steel Enclosure



<p>Plastic enclosure. The plastic enclosures are under development.</p>	<p>Aluminium die cast enclosures Aluminium enclosures have very good impact strength and protection against UV light. They are suitable for both indoor and outdoor use in medium to heavy duty applications.</p>
<p>Steel sheet enclosures The steel sheet enclosure are hot dip galvanized and the surface is polyester powder coated. The enclosure are durable and robust for various environment</p>	<p>Stainless steel sheet enclosure The stainless sheet enclosures are made of Al 304 stainless steel. They are used in particularly in food and beverage industries where high hygiene is required. The smooth surface does not required any painting and easy to clean.</p>
<p>Safety for personnel - reliable position indication</p> <ul style="list-style-type: none"> ● Pad locking in the off position with 3 locks against unintentional start up ● cover cannot be removed if the handle in on position ● Door interlock in on position and 1 padlock provision in on position ● IP 67 protection for aluminium die cast enclosures, IP 55 protection for sheet steel/stainless steel fabricated enclosures 	

Product guide

Product definitions and Utilization categories according to IEC-60947-3

Definition	Description Technical Description		Description
Disconnecter	A ' Disconnecter ' is a mechanical switch which in the 'Open' position, complies with requirements specified for the isolating function. A ' Disconnecter ' or ' Isolator ' is an off-load device and marked 'Isolate elsewhere before opening' they have an AC20/DC20 utilisation category.	AC20	Connecting & disconnecting user under 'no-load conditions
		AC21	Switching of resistive loads including moderate over loads
		AC22	Switching of mixed resistive/inductive loads including moderate overloads
Switch	A ' Switch ' is a mechanical switching device capable of making, carrying and breaking current under normal circuit conditions, which may include specified operating overload conditions. They also carry, for a specified time, currents under specified abnormal circuit conditions, such as those of short circuit (i.e. Utilisation category AC23A duty).	AC23	Switching of highly inductive loads
Switch-Disconnecter	A ' Switch-Disconnecter ' meets both of these criteria padlockable handle may also be called a ' Safety Isolator '		

Frequent and infrequent use. The categories above can be suffixed to indicate a frequency of cycles

Frequent use (A) up to 5 times a day for small rating (typically up to 125A), once a week for above 100A

Frequent use (B) once a week for smaller rating and once a month for larger rating

Ingress Protection

When choosing an isolating device, apart from the electrical performance, consideration must be given to the environmental conditions in which the device will be placed. The item may be subjected to dust or dirt or it may come in contact with degrees of moisture. Indoor conditions will vary considerably but items may well be placed outdoors where the full influence of rain, ice & snow will be present. Protecting items to varying degrees is detailed in BS EN 60529:1992. Employing a two digit code the standard defines protection against solid objects and separately protection against moisture

IP protection details are as follows:

IP (Ingress Protection) Ratings Guide

SOLIDS		WATER	
1	Protected against a solid object greater than 50 mm such as a hand.	1	Protected against vertically falling drops of water. Limited ingress permitted.
2	Protected against a solid object greater than 12.5 mm such as a finger.	2	Protected against vertically falling drops of water with enclosure tilted up to 15 degrees from the vertical. Limited ingress permitted.
3	Protected against a solid object greater than 2.5 mm such as a screwdriver.	3	Protected against sprays of water up to 60 degrees from the vertical. Limited ingress permitted for three minutes.
4	Protected against a solid object greater than 1 mm such as a wire.	4	Protected against water splashed from all directions. Limited ingress permitted.
5	Dust Protected. Limited ingress of dust permitted. Will not interfere with operation of the equipment. Two to eight hours.	5	Protected against jets of water. Limited ingress permitted.
6	Dust tight. No ingress of dust. Two to eight hours.	6	Water from heavy seas or water projected in powerful jets shall not enter the enclosure in harmful quantities.
Rating Example: INGRESS PROTECTION		7	Protection against the effects of immersion in water between 15 cm and 1 m for 30 minutes.
		8	Protection against the effects of immersion in water under pressure for long periods.

Die cast aluminium enclosure

General Description

ABN die cast range provides the user with a product that will withstand a good deal of rough treatment. These enclosures are confirming IP66/IP67 and these assemblies can be placed in environments where resistance to impacts, moisture, dust/dirt and rain showering atmosphere. Enclosures are suitable to add a selection of auxiliary blocks, providing additional contacts as neutral break contact.

Padlocking

Provision of three padlocks in the 'Off' position thus preventing the isolator being to the 'On' position. Provision of one padlocks in the 'ON' position thus preventing the isolator being to the 'Off' position. Standard shackle diameter Ø5.2. Safety Interlock. Screwed lid have always been open in Off position and not open in On position to ensure safety.

Enclosure

Material 20A-125 A aluminium Colour Enclosure - Grey RAL 7035

Entries FRAME A Enclosure - M25 , 2 Nos knock-outs on top and 2 Nos. on bottom

Entries FRAME B Enclosure - M32 , 2 Nos knock-outs on top and 2 Nos. on bottom

Cover Screws Stainless Steel (Captive)

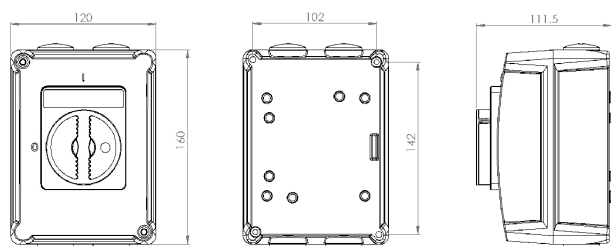


Switch rating in Amps	No. of Poles	Catalogue Numbers	Order Number	Frame Size	Weight in KG
25	3P	RVMSD2503	RVEMSD025MO3M3	A	1.14
25	4P	RVMSD2504	RVEMSD025MO4M3	A	1.24
25	3P+N	RVMSD253N	RVEMSD025M3NM3	A	1.16
32	3P	RVMSD3203	RVEMSD032MO3M3	A	1.14
32	4P	RVMSD3204	RVEMSD032MO4M3	A	1.24
32	3P+N	RVMSD323N	RVEMSD032M3NM3	A	1.16
40	3P	RVMSD4003	RVEMSD040MO3M3	A	1.14
40	4P	RVMSD4004	RVEMSD040MO4M3	A	1.24
40	3P+N	RVMSD403N	RVEMSD040M3NM3	A	1.16
50	3P	RVMSD5003	RVEMSD040MO3M3	B	1.14
50	4P	RVMSD5004	RVEMSD050MO4M3	B	1.24
50	3P+N	RVMSD503N	RVEMSD050M3NM3	B	1.16
63	3P	RVMSD6303	RVEMSD063MO3M3	B	1.14
63	4P	RVMSD6304	RVEMSD063MO4M3	B	1.24
63	3P+N	RVMSD633N	RVEMSD063M3NM3	B	1.16
80	3P	RVMSD8003	RVEMSD080MO3M3	B	1.14
80	4P	RVMSD8004	RVEMSD080MO4M3	B	1.24
80	3P+N	RVMSD803N	RVEMSD080M3NM3	B	1.16
100	3P	RVMSD10003	RVEMSD100MO3M3	B	1.14
100	4P	RVMSD10004	RVEMSD100MO4M3	B	1.24
100	3P+N	RVMSD1003N	RVEMSD100M3NM3	B	1.16
125	3P	RVMSD12503	RVEMSD125MO3M3	B	1.14
125	4P	RVMSD12504	RVEMSD125MO4M3	B	1.24
125	3P+N	RVMSD1253N	RVEMSD125M3NM3	B	1.16

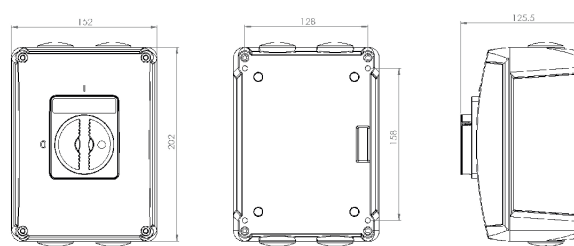
		RATING	A	20	25	32	40	50	63	80	100	125
Technical data according to IEC 60947-3												
	Switch type	RVMSD20 RVMSD25 RVMSD32 RVMSD40 RVMSD50 RVMSD63 RVMSD80 RVMSD100 RVMSD125										
Rated insulation voltage and rated operational voltage AC-20, DC-20	Pollution degree 3	50 Hz 1min.	V	750	750	750	750	750	750	750	750	750
Dielectric strength			kv	06	06	06	06	06	06	06	06	06
Rated impulse voltage			kv	08	08	08	08	08	08	08	08	08
Rated thermal current and rated operational current AC-20, DC-20 in ambient 40°C ⁴⁾ with minimum cable cross section	Ambient 40°C	In open air	A	32	32	40	34	50	63	80	115	125
	Ambient 60°C	In enclosure	A ₂	20	25	32	40	50	63	80	100	125
		Cu	mm	4	6	10	10	10	16	25	35	50
Rated operational current AC-21A		≤ 500V	A	32	32	40	34	50	63	80	115	125
		690V	A	20	25	32	40	50	63	80	100	125
Rated operational current AC-23A		≤ 500V	A	32	32	40	34	50	63	80	115	125
		690V	A	20	25	32	40	50	63	80	100	125
Rated operational current/ poles in series, DC-21A ...23A ¹⁾		24 - 48V	A	20/1	25/1	32/1	40/1	50/1	63/1	80/1	100/1	125/1
		110V	A	20/2	25/2	32/2	40/2	50/2	63/2	80/2	100/2	125/2
		220V	A	20/4	25/4	32/4	40/4	50/4	63/4	84/4	100/4	125/4
		440V	A	20/4	25/4	32/4	40/4	50/4	63/4	84/4	100/4	125/4
Rated operational power, AC-23 ³⁾		200 - 240V	kw	6.5	8.4	10.4	13	16	21	26	33	41
		400 - 415V	kw	12	14.4	18.4	22	28	36	45	60	71
		440V	kw	12	14.4	18.4	22	28	36	45	60	71
		500V	kw	12	14.4	18.4	22	28	36	45	60	71
		690V	kw	12	14.4	18.4	22	28	36	45	60	71
Power loss / pole	With rated current		W	0.6	0.6	1.6	1.6	1.6	2.8	4.5	4	6.3
Mechanical endurance	No. of operations		Oper.	20 000	20 000	20 000	20 000	20 000	20 000	20 000	20 000	20 000
Terminal Cable Size	Cu-wire size suitable		mm	0.75...10	0.75...10	0.75...10	0.75...10	1.5...35	1.5...35	1.5...35	10...70	10...70
Terminal tightening torque	Counter torque required		Nm	1.2	1.2	2.2	2.2	4	4	4	4	4
Operating torque	3-pole switch disconnecter		Nm	2	2	2	2	2	2	2	2	2

Dimensions

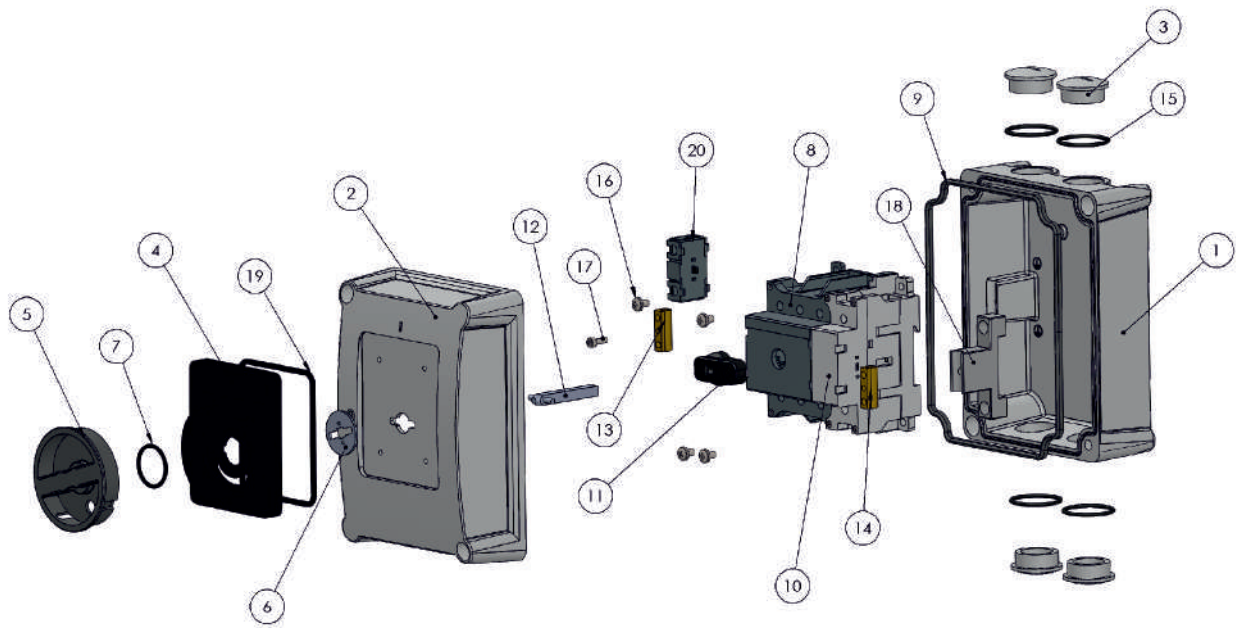
Frame A



Frame B



Accessories selection over view



- | | | | |
|----|--------------------------|----|-----------------------------|
| 1 | ENCLOSURE BOTTOM HOUSING | 11 | KNOB |
| 2 | ENCLOSURE TOP HOUSING | 12 | SHAFT |
| 3 | M25 CAP | 13 | EARTHING ROD |
| 4 | PLATE FOR PADLOCK | 14 | EARTHING ROD (NEUTRAL LINK) |
| 5 | HANDLE FOR PADLOCK | 15 | O-RING GASKET |
| 6 | HANDLE LOCKING PLATE | 16 | M4 PAN HEAD SCREW |
| 7 | CIRCULAR GASKET | 17 | M3 PAN HEAD SCREW |
| 8 | 125 SWITCH DISCONNECTOR | 18 | NEUTRAL LINK |
| 9 | IP 65 GASKET | 19 | HANDLE GASKET |
| 10 | NEUTRAL LINK | 20 | AUXILLIARY BLOCK |

Product	Suitable for	Type	Order Number
Handle with shaft 	RVPSD25... RVPSD125 RVMSD25... RVMSD125	RVSDH125	RVESDO125H03H3
NEUTRAL LINK 		RVSONL40 RVSONL125	RVESDNL40H03H3 RVESDNL80H03H3
Earth Link 		RVSONL40 RVSONL125	RVESDENL40H03H3 RVESDENL125H03H3
Neutral block 		RVSDNB20 RVSDNB25 RVSDNB32 RVSDNB40 RVSDNB63 RVSDNB80 RVSDNB100 RVSDNB125	RVESD20NBH03H3 RVESD25NBH03H3 RVESD32NBH03H3 RVESD40NBH03H3 RVESD63NBH03H3 RVESD80NBH03H3 RVESD100NBH03H3 RVESD125NBH03H3
Auxiliary block 	All products Type Function Suitable for RVCO20.. RVCO3200A	RVSA10 RVSA01	RVECO0A10H03H3 RVECO0A01H03H3

* Different Shafts length are available

Sheet metal enclosed switch

Supplied with 'hinged lid' RAL7035 colour powder coated sheet steel enclosures and confirms to IP55/IP65 protection. Suitable for most indoor industrial applications. Supplied as 'Switch-Disconnectors' with different combinations as below. Items are supplied in generously sized enclosures which helps to avoid the need for extension boxes. The design offers a choice of accessories and options to match a variety of real applications.



		RATING		A	125	160	200	250
Technical data according to IEC 60947-3		Switch type			RVSE125	RVSE160	RVSE200	RVSE250
Rated insulation voltage and rated operational voltage AC-20, DC-20	Pollution degree 3	50 Hz	1 min.	V	1000	1000	1000	1000
Dielectric strength				kv	10	10	10	10
Rated impulse voltage				kv	12	12	12	12
Rated thermal current and rated operational current AC-20, DC-20 in ambient 40°C ⁴⁾	Ambient 40°C	In open air		A	200	200	200	250
	Ambient 60°C	In enclosure		A ₂	125	160	200	250
with minimum cable cross section		Cu		mm	50	70	95	120
Rated operational current AC-21A		≤ 500V		A	125	200	200	250
		690V		A	125	160	200	250
		1000V		A	125	160	200	250
Rated operational current AC-23A		≤ 500V		A	125	160	200	250
		690V		A	125	160	200	250
		1000V		A	125	135	135	135
Rated operational current/ poles in series, DC-21A ...23A ¹⁾		24... 110 V		A	125/2	160/2	200/2	250/2
		220 V		A	125/2	160/2	200/2	250/2
		440 V		A	125/3	160/3	200/3	250/3
		660 V		A	125/4	160/4	200/4	230/4 ²⁾
Rated operational power, AC-23 ³⁾		230 V	KW		37	48	60	75
		400 V	KW		64	80	110	140
		415 V	KW		68	88	110	145
		500 V	KW		87	112	132	170
		690 V	KW		112	144	200	250
Power loss / pole	With rated current			W	3.2	3.2	4	6.5
Mechanical endurance	No. of operations		Oper.		20 000	20 000	20 000	20 000
Terminal bolt size	Metric thread diameter x length		mm		M8x25	M8x25	M8x25	M8x25
Terminal tightening torque	Counter torque required		Nm		15-22	15-22	15-22	15-22
Operating torque	3-pole switch disconnecter		Nm		7	7	7	7

1) Further rating on request 2) Category B 3) These values are given for guidance and may vary acc. to the motor manufacturer

4) Acc. to IEC 60947-1, § 6.1.1

Frame I enclosure

Switch rating in Amps	No. of Poles	Catalogue Numbers	Order Number	Weight in KG
125	3	RVSE12503	RVESMED0125M03	7.46
125	4	RVSE12504	RVESMED0125M04	7.64
125	3	RVSE12512	RVESMED0125M12	7.46
125	4	RVSE12522	RVESMED0125M22	7.64
160	3	RVSE16003	RVESMED0160M03	7.46
160	4	RVSE16004	RVESMED0160M04	7.64
160	3	RVSE16012	RVESMED0160M12	7.46
160	4	RVSE16022	RVESMED0160M22	7.64
200	3	RVSE20003	RVESMED0200M03	7.46
200	4	RVSE20004	RVESMED0200M04	7.64
200	3	RVSE20012	RVESMED0200M12	7.46
200	4	RVSE20022	RVESMED0200M22	7.64
250	3	RVSE25003	RVESMED0250M03	7.46
250	4	RVSE25004	RVESMED0250M04	7.64
250	3	RVSE25012	RVESMED0250M12	7.46
250	4	RVSE25022	RVESMED0250M22	7.64

Stainless Steel Enclosures are available on request

Protection IP 55/65



		RATING		A	315	400	500	630
Technical data according to IEC 60947-3		Switch type			RVSE315	RVSE400	RVSE500	RVSE0630
Rated insulation voltage and rated operational voltage AC-20, DC-20	Pollution degree 3	50 Hz	1min.	V	1000	1000	1000	1000
Dielectric strength				kv	10	10	10	10
Rated impulse voltage				kv	12	12	12	12
Rated thermal current and rated operational current AC-20, DC-20 in ambient 40°C ⁴⁾	Ambient 40°C	In open air		A	315	400	500	630
	Ambient 60°C	In enclosure		A	315	400	500	630
with minimum cable cross section		Cu	mm ²		185	240	2x150	2x185
Rated operational current AC-21A		≤ 500V		A	315	400	500	630
		690V		A	315	400	500	630
		1000V		A	315	400	500	630
Rated operational current AC-23A		≤ 500V		A	315	400	500	630
		690V		A	315	400	500	630
		1000V		A	200	200	200	400
Rated operational current/ poles in series, DC-21A ...23A ¹⁾	24...110 V			A	315/1 ²⁾	400/1 ²⁾	500/1 ²⁾	630/1
	220 V			A	315/2 ²⁾	400/2 ²⁾	500/2 ²⁾	630/1
	440 V			A	315/3	360/3	360/3	360/2
	660 V			A	315/4	360/4	360/4	630/4 ²⁾
Rated operational power, AC-23 ³⁾	230 V	KW			100	132	165	200
	400 V	KW			160	220	275	355
	415 V	KW			180	230	287	355
	500 V	KW			220	280	287	400
	690 V	KW			315	400	500	630
Power loss / pole	With rated current			W	6.5	10	15	25
Mechanical endurance	Operating cycle ⁶⁾			Oper.	8 000	8 000	8 000	8 000
	No. of operations				16 000	16 000	16 000	16 000
Terminal bolt size	Metric thread diameter x length			mm	M10x30	M10x30	M10x30	M12x40
Terminal tightening torque	Counter torque required			Nm	30-44	30-44	30-44	50-75
Operating torque	3-pole switch disconnecter			Nm	16	16	16	27

Frame II enclosure



Switch rating in Amps	No. of Poles	Catalogue Numbers	Order Number	Weight in KG
315	3	RVSE31503	RVESMED0315M03	19.65
315	4	RVSE31504	RVESMED0315M04	20.40
315	3	RVSE31512	RVESMED0315M12	19.65
315	4	RVSE31522	RVESMED0315M22	20.40
400	3	RVSE40003	RVESMED0400M03	19.65
400	4	RVSE40004	RVESMED0400M04	20.40
400	3	RVSE40012	RVESMED0400M12	19.65
400	4	RVSE40022	RVESMED0400M22	20.40
500	3	RVSE50003	RVESMEDL500M03	19.65
500	4	RVSE50004	RVESMEDL500M04	20.40
500	3	RVSE50012	RVESMEDL500M12	19.65
500	4	RVSE50022	RVESMEDL500M22	20.40

Stainless Steel Enclosures are available on request
Protection IP 55/65

		RATING		A	500	630	800
Technical data according to IEC 60947-3		Switch type		RVSE0500	RVSE0630	RVSE0800	
Rated insulation voltage and rated operational voltage AC-20, DC-20	Pollution degree 3	50 Hz	1min.	V	1000	1000	1000
Dielectric strength				kv	10	10	10
Rated impulse voltage				kv	12	12	12
Rated thermal current and rated operational current AC-20, DC-20 in ambient 40°C ⁴⁾ with minimum cable cross section	Ambient 40°C	In open air		A	500	630	800
	Ambient 60 C	In enclosure		A ₂	500	630	800
		Cu	mm		2x150	2x185	2x240
Rated operational current AC-21A		≤ 500V		A	500	630	800
		690V		A	500	630	800
		1000V		A	500	630	800
Rated operational current AC-23A		≤ 500V		A	500	630	800
		690V		A	500	630	800
		1000V		A	200	400	400
Rated operational current/ poles in series, DC-21A ...23A ¹⁾		24...110 V		A	500/1 ²⁾	630/1	800/1
		220 V		A	500/2 ²⁾	630/1	800/1
		440 V		A	360/3	360/2	800/2
		660 V		A	360/4	630/4 ²⁾	650/4 ²⁾
Rated operational power, AC-23 ³⁾		230 V	KW		165	200	250
		400 V	KW		275	355	450
		415 V	KW		287	355	450
		500 V	KW		287	400	560
		690 V	KW		500	630	800
Power loss / pole	With rated current			W	15	25	40
Mechanical endurance	No. of operations			Oper.	10 000	10 000	10 000
Terminal bolt size	Metric thread diameter x length			mm	M12x40	M12x40	M12x40
Terminal tightening torque	Counter torque required			Nm	50-75	50-75	50-75
Operating torque	3-pole switch disconnecter			Nm	27	27	27

Frame III enclosure



Switch rating in Amps	No. of Poles	Catalogue Numbers	Order Number	Weight in KG
500	3	RVSE50003	RVESMED0500M03	44.05
500	4	RVSE50004	RVESMED0500M04	46.04
500	3	RVSE50012	RVESMED0500M12	44.05
500	4	RVSE50022	RVESMED0500M22	46.04
630	3	RVSE63003	RVESMED0630M03	44.05
630	4	RVSE63004	RVESMED0630M04	46.04
630	3	RVSE63012	RVESMED0630M12	44.05
630	4	RVSE80022	RVESMED0630M22	46.04
800	3	RVSE80003	RVESMED0800M03	44.05
800	4	RVSE80004	RVESMED0800M04	46.04
800	3	RVSE80012	RVESMED0800M12	44.05
800	4	RVSE80022	RVESMED0800M22	46.04

Stainless Steel Enclosures are available on request
Protection IP 55/65

		RATING		A	1000	1250	1600
Technical data according to IEC 60947-3		Switch type			RVSE1000	RVSE1250	RVSE1600
Rated insulation voltage and rated operational voltage AC20, Dc20	Pollution degree 3	50 Hz	1min.	V	1000	1000	1000
Dielectric strength				kv	10	10	10
Rated impulse voltage				kv	12	12	12
Rated thermal current and rated operational current AC20/DC20 with minimum conductor cross section	Ambient 40°C	In open air		A	1000	1250	1600
	Ambient 60 C	In enclosure		A	1000	1250	1600
		Cu	mm ²		2x300	2x400	2x500
Rated operational current AC-21A		Up to 690 V		A	1000	1250	1600
		1000 V		A	1000	1250	1600
Rated operational current AC-23A		Up to 500 V		A	1000	1250	1250
		690 V		A	1000	1250	1250
Rated breaking capacity, AC-23A		Up to 500 V		A	8000	10000	12800
		690 V		A	8000	10000	12800
Power loss / pole	At rated operational current			W	19	29	48
Mechanical endurance	No. of operations			Oper.	6 000	6 000	6 000
Terminal bolt size	Metric thread diameter x length			mm	M12x50	M12x50	M12x60
Terminal tightening torque	Counter torque required			Nm	50...75	50...75	50...75
Operating torque	3-pole switch disconnecter			Nm	65	65	65

Frame IV enclosure

Switch rating in Amps	No. of Poles	Catalogue Numbers	Order Number	Weight in KG
1000	3	RVSE100003	RVESMED1000M03	69.75
1000	4	RVSE100004	RVESMED1000M04	70.75
1000	3	RVSE100012	RVESMED1000M12	69.75
1000	4	RVSE100022	RVESMED1000M22	70.75
1250	3	RVSE125003	RVESMED1250M03	69.75
1250	4	RVSE125004	RVESMED1250M04	70.75
1250	3	RVSE125012	RVESMED1250M12	69.75
1250	4	RVSE125022	RVESMED1250M22	70.75
1600	3	RVSE160003	RVESMED1600M03	75.00
1600	4	RVSE160004	RVESMED1600M04	81.50
1600	3	RVSE160012	RVESMED1600M12	75.00
1600	4	RVSE160022	RVESMED1600M22	81.50

Stainless Steel Enclosures are available on request
Protection IP 55/65



Stainless steel enclosed switch

Supplied with 'hinged lid' stainless steel enclosures and confirms to IP 55/65 protection. Suitable for most indoor industrial applications. Supplied as 'Switch-Disconnectors' with different combinations as below. Items are supplied in generously sized enclosures which helps to avoid the need for extension boxes.

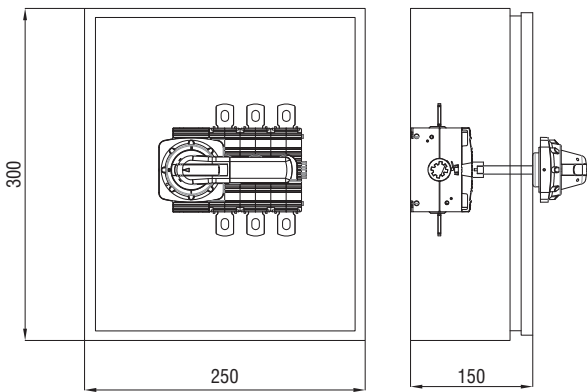
The design offers a choice of accessories and options to match a variety of real applications.



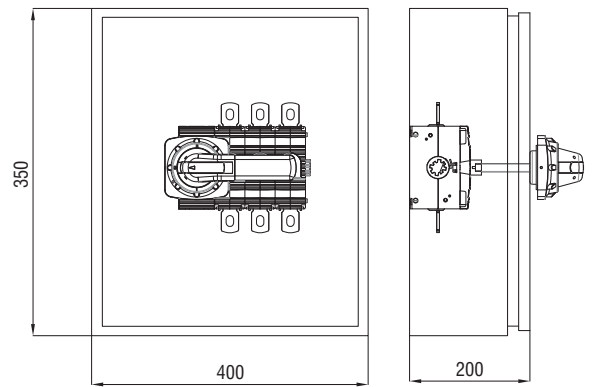
Available on request Range 125A ...1600A

Mounting dimensions for sheet metal / stainless steel enclosures

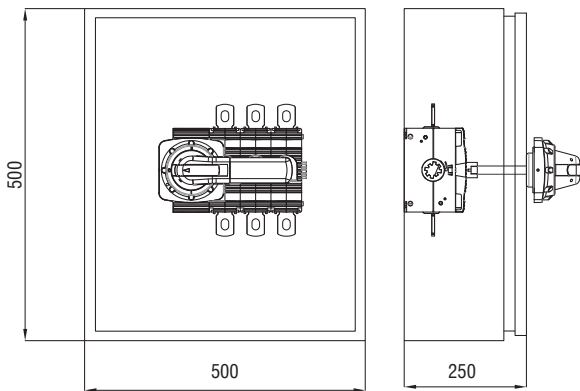
Frame I



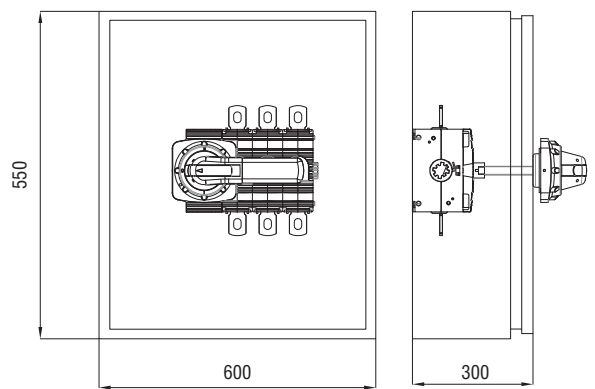
Frame II








Frame III



Frame IV



Handle with Soft	Length	Suitable for	Type	Order Number
	150mm*	RVCO20...RVCO125	RVCOH125	RVECO0125H03H3
	260mm*	RVCO125...RVCO250	RVCOH250	RVECO0250H03H3
	235mm*	RVCO315...RVCO500	RVCOH400	RVECO0400H03H3
	325mm*	RVCO500...RVCO800	RVCOH800	RVECO0800H03H3
	325mm*	RVCO1000...RVCO3200	RVCOH1600	RVECO1600H03H3

Auxiliary Block



NO	Type Function Suitable for RVCO20..RVCO3200A	RVSA10	RVECO0A10H03H3
NC		RVSA01	RVECO0A01H03H3

* Different Shafts length are available

ABN



www.roveelectricindia.com

ROVE Electric Pvt Ltd.

SF No: 193/1B, Uzhaippalar Street,
Udayampalayam Road, Vellakinar Village,
Coimbatore - 641029. Tamil Nadu. INDIA.
Email: sales@roveelectric.co.in

Electricity is the most indispensable source of energy in this modern era. ABN Electric excel in the specialized manufacturing, servicing and exporting of low voltage Switchgear, controlgear, Power Busbars & Diesel Gensets. since its establishment, the company is a fully self contingent, where every component is formulated, developed, processed and manufactured to latest requirements.

"We Make Ideas Work"

ABN electric hold an excellent technical infrastructure and highly skilled team of professionals. The R&D wing constantly work on innovations and determine to transform conventional products to new generation products.

"Conviction"

Our products are accredited with Global Standards which stand as a testimony to our strict and vigilant quality control. We are committed to quality and innovation besides prompt after sales service.